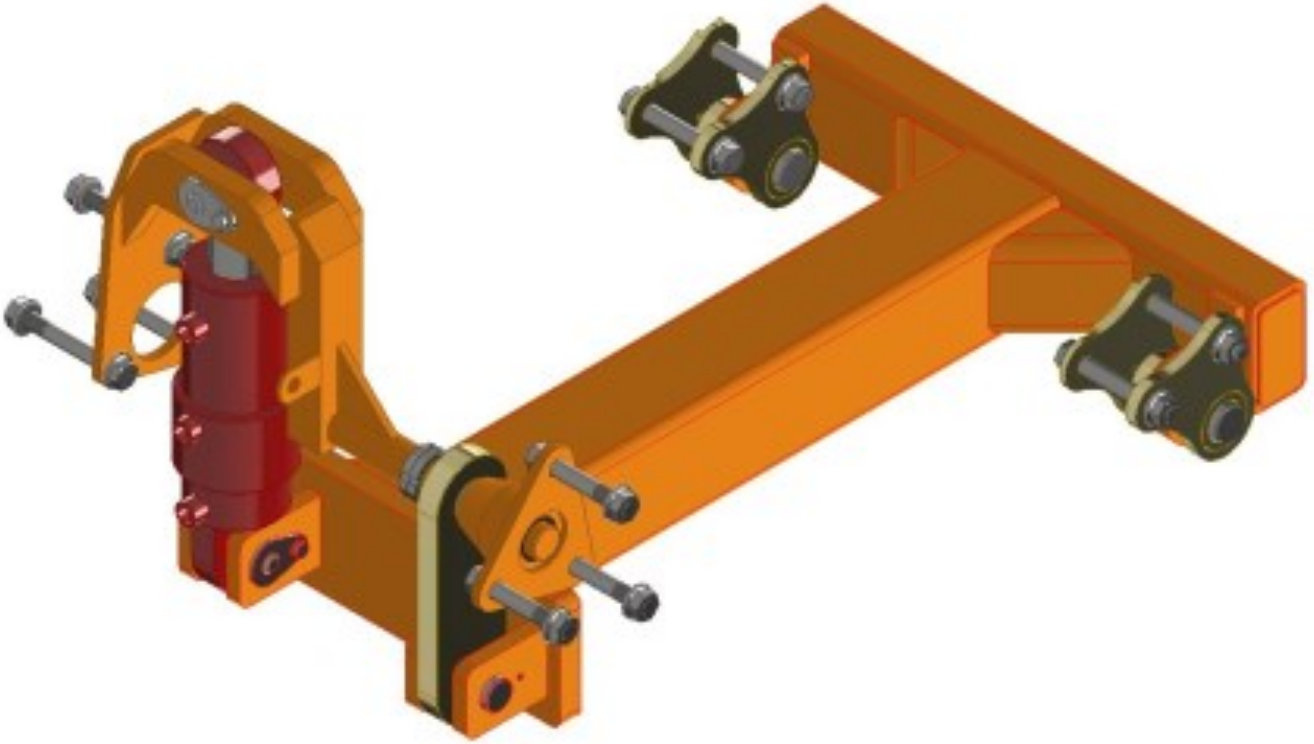


T.A.D.E



FOR INFORMATION PURPOSES, THE VALUES GIVEN MAY CHANGE

TORSION FRAME

Hydraulic Lockable
Remote Controlled

COMPATIBLE VEHICLES

Mercedes-Benz Unimog U530