

T.U.E.T

UNIVERSAL CARRIER ARM

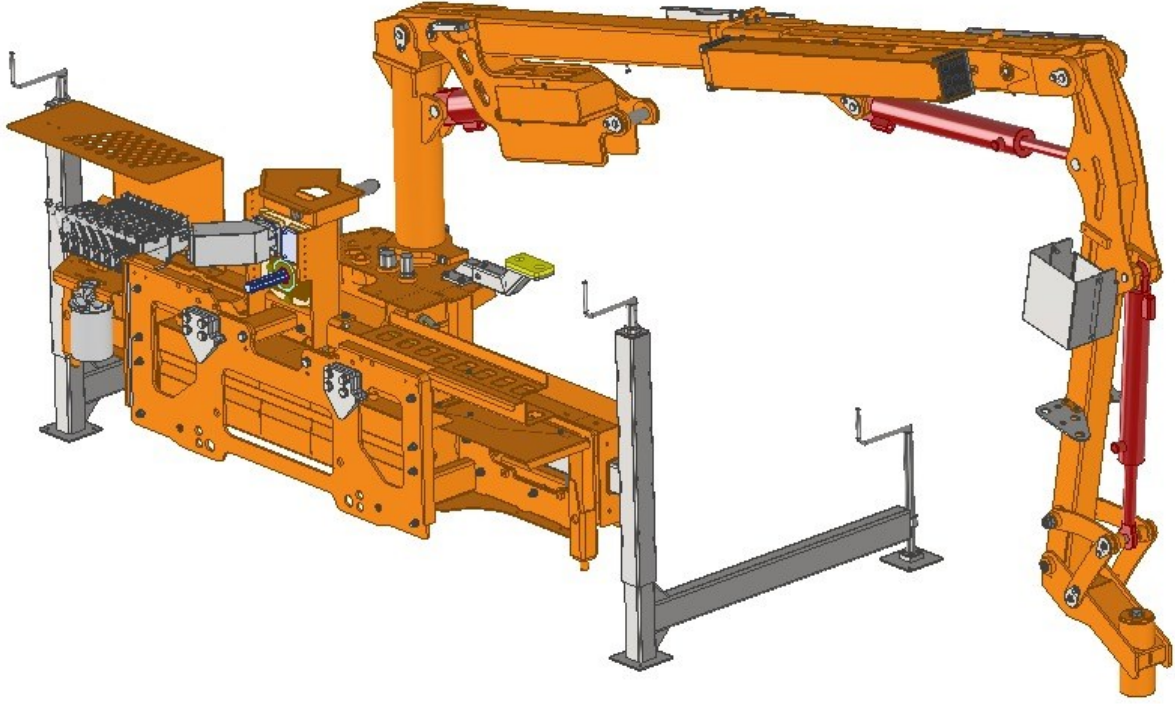


FOR INFORMATION PURPOSES, THE VALUES GIVEN MAY CHANGE

COMPATIBLE VEHICLES

- UNIMOG U 530

T.U.E.T



FOR INFORMATION PURPOSES, THE VALUES GIVEN MAY CHANGE

TECHNICAL DATA

HORIZONTAL ACCESS	6000 mm
VERTICAL ACCESS	6500 mm
ANGLE OF TURN	170°
FEATURES	CHANGE OF WORKING DIRECTION
	QUICK MANUAL EQUIPMENT CHANGE
	DRIVE FROM CARRIER VEHICLE ENGINE OUTPUT